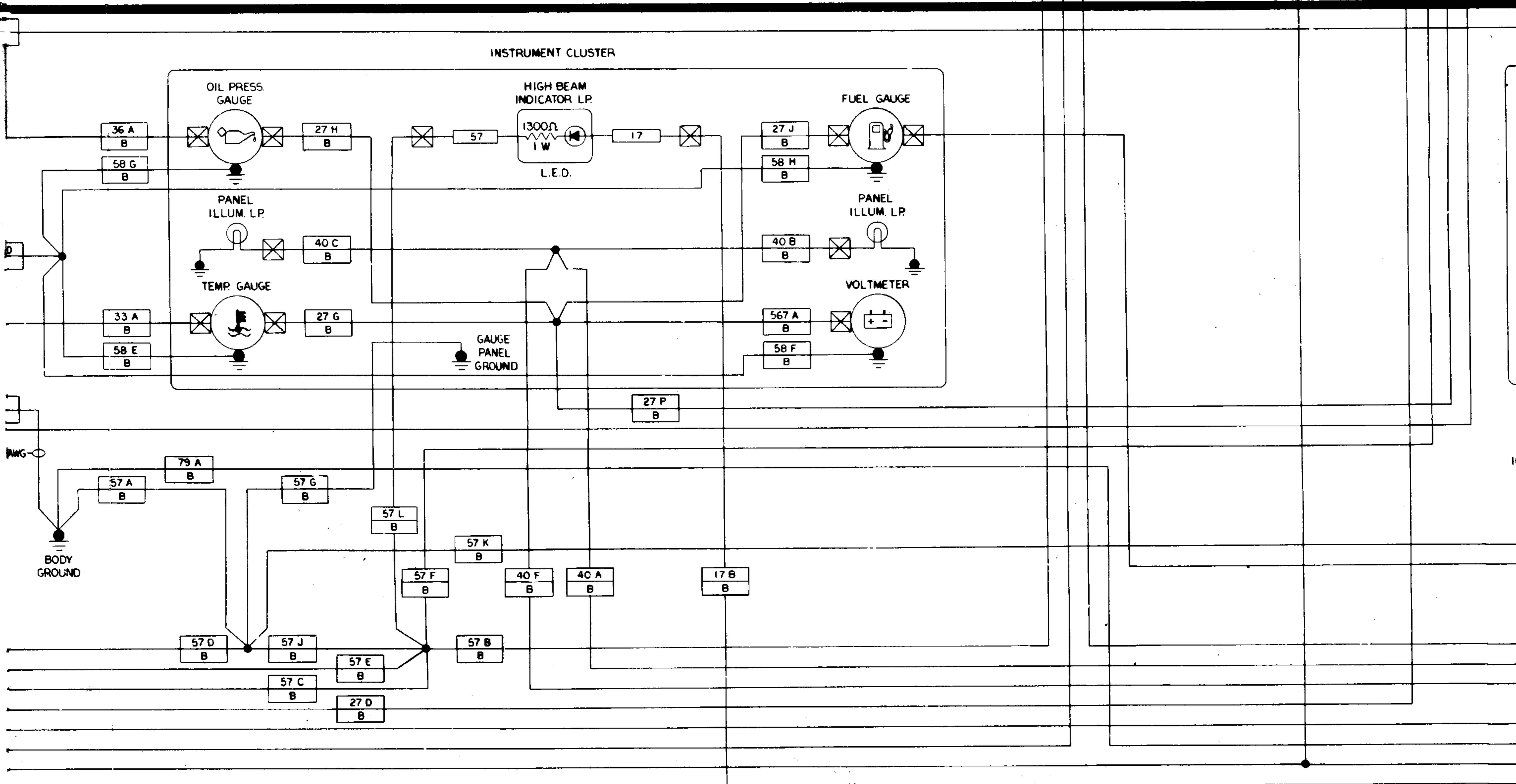
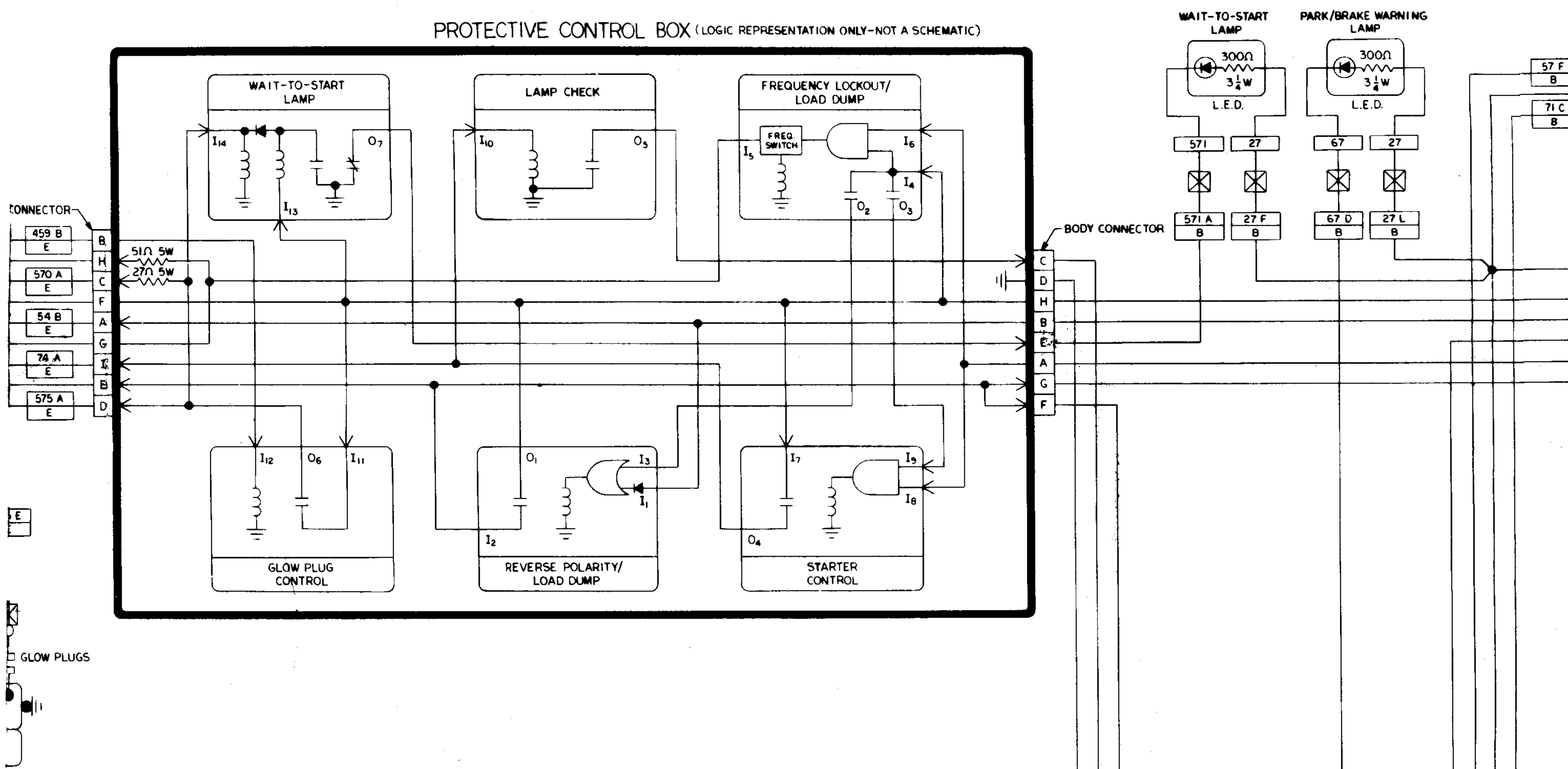
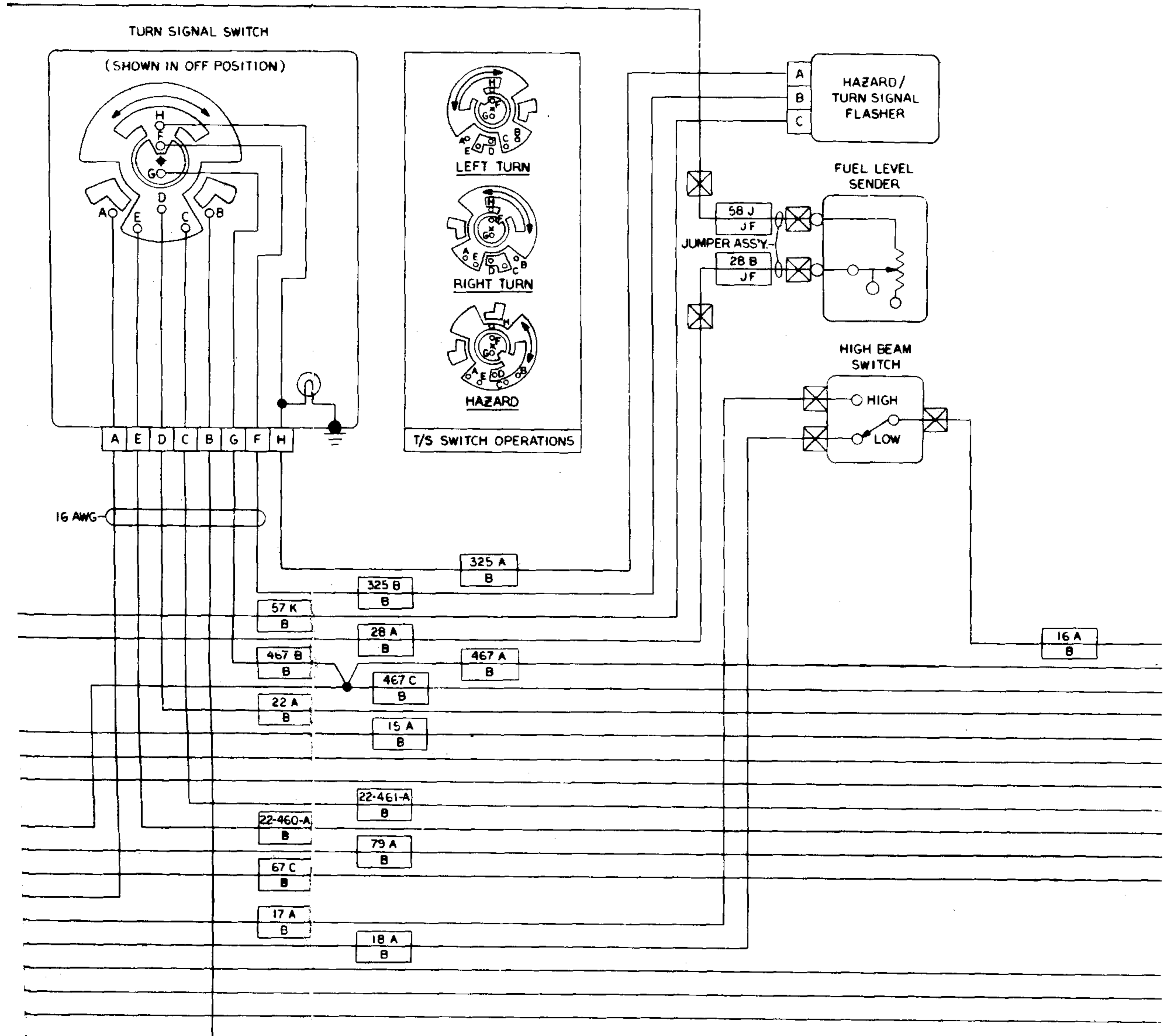
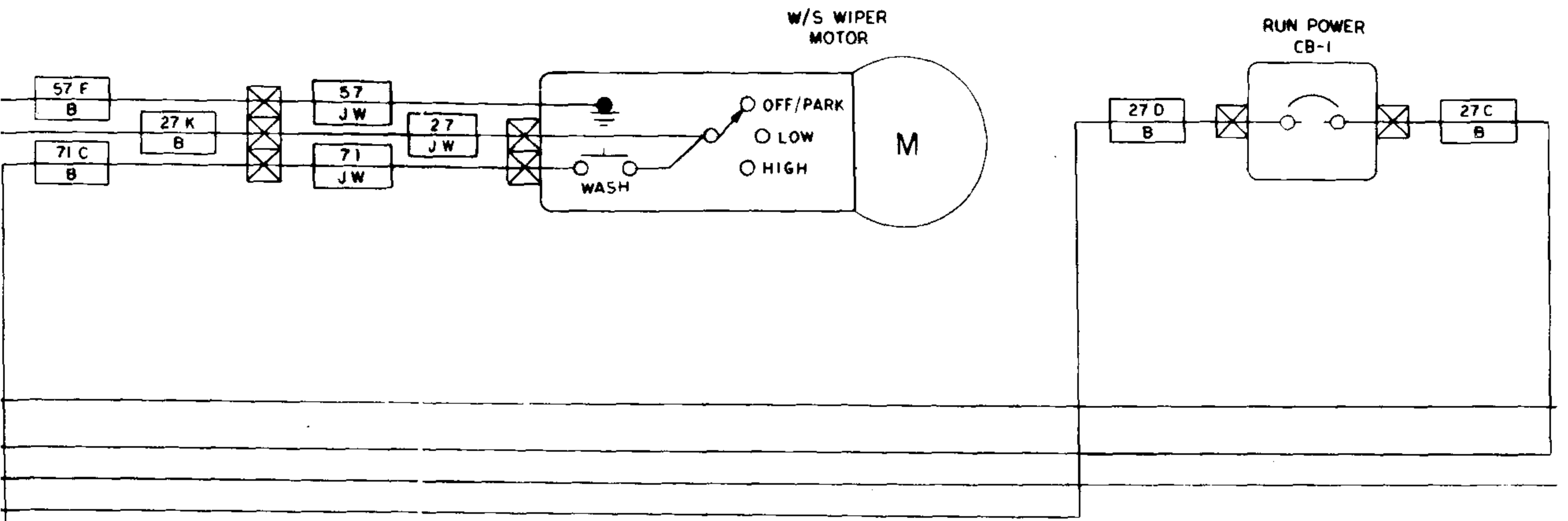


PROTECTIVE CONTROL BOX (LOGIC REPRESENTATION ONLY-NOT A SCHEMATIC)



TM 9-2320-280-20



FO-3. Electrical System Wiring Diagram (M997).

Change 2

FP-9 (FP-10 blank)